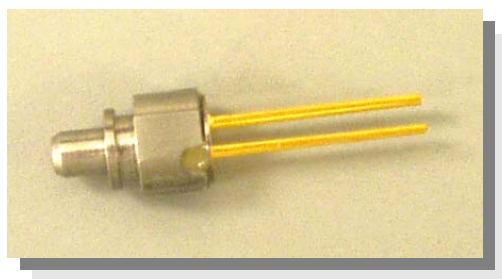




AC6520 Series

Uncooled 2.5 Gbps Receiver in ROSA Package



Features:

- Differential ended output
- Single +3.3V/+5V operation
- Wide operation temperature (0°C~ +85°C)
- High reliability
- Suitable for 2.5Gb/s applications Receptacle or pigtail module

Applications: Telecom and Datacom

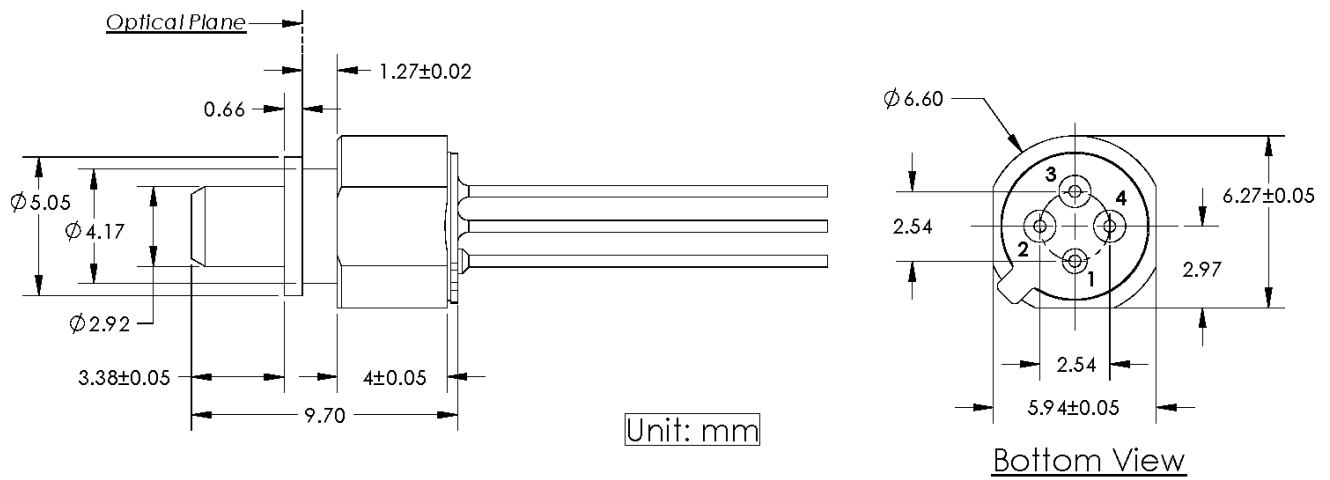
Electrical/Optical Characteristics ($T_c=25^\circ\text{C}$)

Parameter	Symbol	Test Condition	Min.	Typ.	Max.	Unit
Power Supply	V_{cc}		3.00		5.50	V
Supply Current	I_{cc}	No loads		26	50	mA
Bandwidth	BW		1600	1900	2500	MHz
Low-Frequency Cut Off	LF			44		kHz
Rise Time/Fall Time	T_r/t_f	20% ~ 80%, P = -15 dBm			200	ps
Wavelength	λ		1100	1310	1650	μm
Single Ended Output Impedance	R_o		48	50	52	Ohms
Saturation Power	P_{sat}	$\lambda=1310\text{nm}$	-3	0		dBm
Sensitivity (BER= 10^{-10})	SEN	$\lambda=1310\text{nm}$		-22	-20	dBm
Maximum Differential Output Voltage		P = 0 dBm	185	250	415	mV p-p

Absolute Maximum Ratings($T_c=25^\circ\text{C}$):

Parameter	Symbol	Ratings	Unit
Case Temperature	T_c	-0 ~ +85	$^\circ\text{C}$
Storage Temperature	T_{stg}	-40 ~ +100	$^\circ\text{C}$
Load Solder Temperature and Time		260 $^\circ\text{C}$, 10sec	

Outline Drawing (Customer special order is available) :



Pin Assignment Layout			
1	2	3	4
Gnd	Dout	Vcc	$\overline{\text{Dout}}$

Archcom Technology, Inc. reserves the right to make changes in design, specifications and other information at any time without prior notice. Information in this data sheet is believed to be reliable. However, no responsibility is assumed for possible inaccuracy or omission.