



## Preliminary Data Sheet

### AC6532 Series

#### 10 Gbps Long Wavelength Multimode ROSA for EDC Applications



AC6532 with 6-pin  
flex circuit

#### Features:

- Large area photodiode for excellent coupling from MM fibers
- TIA incorporates AGC for use with electronic dispersion compensation (EDC) applications
- Low cost TO-46 package with differential output
- Wide operation temperature (-40°C to +85°C)
- Suitable for 10 Gbps applications needing receptacle style connectorization

#### Electrical/Optical Characteristics ( $T_c=25^\circ\text{C}$ )

Parameter	Symbol	Min.	Typ.	Max.	Unit
Power Supply	$V_{cc}$	3.135	3.3	3.465	V
Supply Current <sup>(1)</sup>	$I_{cc}$	60	65	70	mA
Photodetector Bias	$V_{PD}$		3.3		V
Bandwidth	BW	4.5	5.5		GHz
Low-Frequency Cut Off	LF		20		kHz
Group Delay Variation <sup>(2)</sup>	GDV		$\pm 36$		ps
Wavelength	$\lambda$	1250		1600	nm
Optical Overload <sup>(3,4)</sup>	$P_{over}$	+3	+4		dBm
Sensitivity <sup>(3,4)</sup>	$P_{sens}$		-17	-15	dBm
Conversion Gain <sup>(5)</sup>		2700	2850		V/W
Max. Diff. Output Voltage	$V_{diff}$		800		mVpp

(1) No Loads

(2) 1 GHz to 8 GHz

(3)  $\lambda=1550$  nm

(4) BER =  $10^{-12}$ , PRBS  $2^{31}-1$ , ER = 10 dB

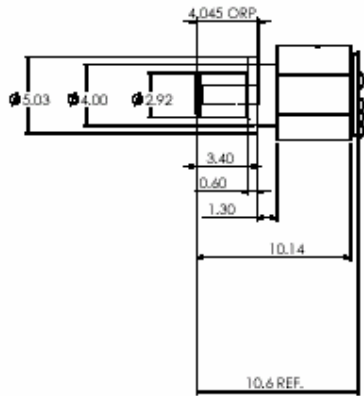
(5) Single ended output voltage (peak to peak) to optical power swing (OMA)

#### Absolute Maximum Ratings:

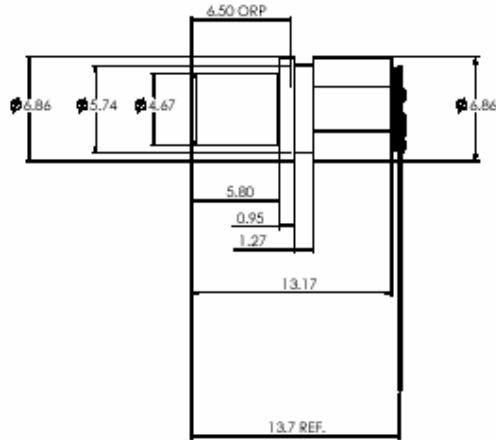
Parameter	Symbol	Min	Max	Unit
Case Temperature	$T_C$	-40	+85	$^\circ\text{C}$
Storage Temperature	$T_{stg}$	-40	100	$^\circ\text{C}$
Humidity Range	RH	5	95	%
Amplifier Bias Voltage	$V_{ccmax}$		3.8	V
Input Optical Power	$P_{max}$		+7	dBm
Load Solder Temp. and Time			260 $^\circ\text{C}$ , 10sec	



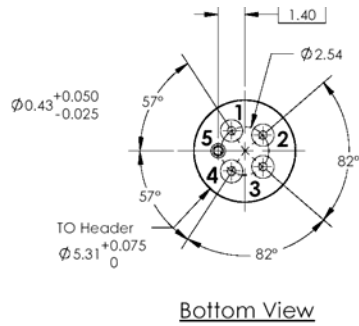
**Outline Drawing**



**Plastic LC Flex Version**



**Plastic SC Flex Version**

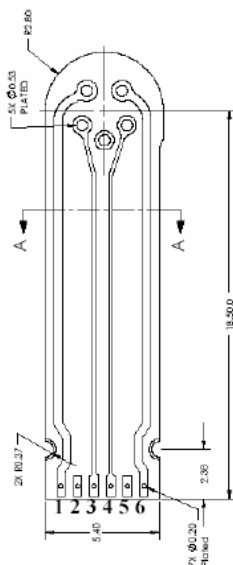


**Bottom View**

<b>5-pin straight lead Pin-out Assignment</b>	
Pin #	"B"
1	Dout-P
2	Vcc
3	Vpd
4	Dout-N
5	GND



### 6-pin Flex Circuit (Trace View)



6-pin Flex Pin-out	
Pin #	FL2
1	Vcc
2	GND
3	Dout-P
4	Dout-N
5	GND
6	Vpd

### Ordering Information:

#### AC6532-B-YZ-FL2

**B** = Pin-out: "B" see 5-pin straight lead Pin-out Assignment table.

**YZ** = Receptacle type: "L6" for LC Plastic, "S6" for SC plastic

**FL2** = Flex circuit option "FL2" for 6-pin flex

Example: **AC6532-B-L6-FL2** is an Archcom 5-pin, 10 Gbps ROSA for MM fiber with Type-B pin-out with low cost plastic LC receptacle and 6-pin flex circuit.

Archcom Technology, Inc. reserves the right to make changes in design, specifications and other information at any time without prior notice. Information in this data sheet is believed to be reliable. However, no responsibility is assumed for possible inaccuracy or omission.