



AC6502 Series

155 Mb/s Receiver in Low Cost (Plastic) ROSA Package

Features:

- Differential ended output
- Single +3.3V operation
- Wide operation temperature (0°C~ +85°C)
- High reliability
- Suitable for 155 Mb/s applications Receptacle or pigtail module

Applications: Telecom, Datacom and FTTX

Electrical/Optical Characteristics (T_c=25°C)

Parameter	Symbol	Test Condition	Min.	Typ.	Max.	Unit
Power Supply	V _{cc}		3.00	3.3	3.6	V
Supply Current	I _{cc}	No loads		25	50	mA
Bandwidth	BW		1000	1200		MHz
Low-Frequency Cut Off	LF			44		kHz
Rise Time/Fall Time	Tr/tf	10% ~ 90%, P = -15 dBm		1.5	2	ns
Wavelength	λ		1100	1310	1650	μm
Single Ended Output Impedance	R _o			50		Ohms
Saturation Power	P _{sat}	λ=1310nm	-3	0		dBm
Sensitivity (BER=10 ⁻¹⁰)	SEN	λ=1310nm		-39	-38	dBm
Maximum Differential Output Voltage					800	mV p-p

Absolute Maximum Ratings(T_c=25°C):

Parameter	Symbol	Ratings	Unit
Case Temperature	T _C	-0 ~ +85	°C
Storage Temperature	T _{stg}	-40 ~ +100	°C
Load Solder Temperature and Time		260 °C, 10sec	

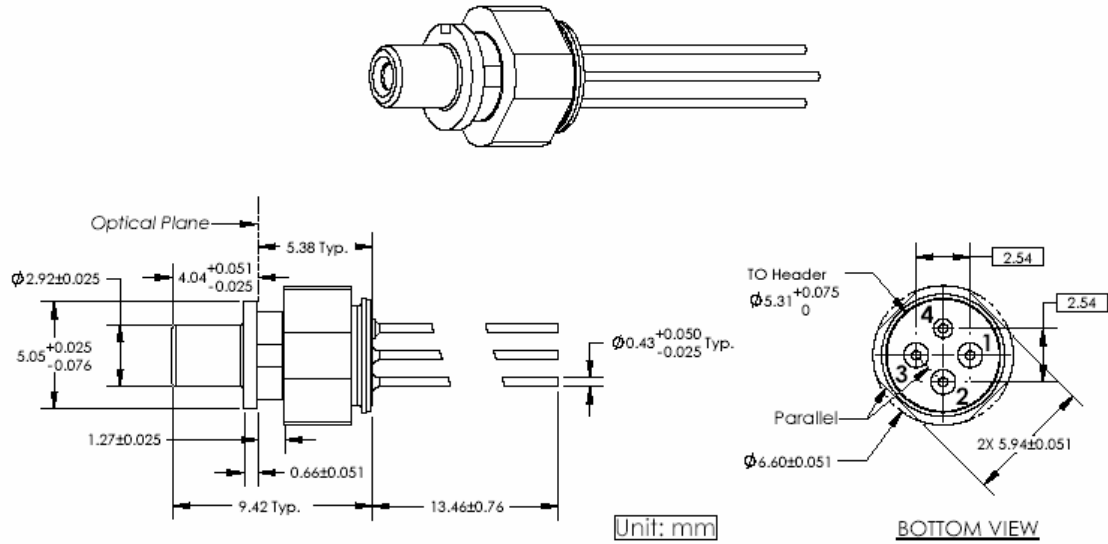
Archcom Technology, Inc. 1335 W. Foothill Blvd., Azusa, CA 91702, USA

Phone: 626-969-0681

Fax: 626-969-7699;

www.archcomtech.com

Outline Drawing (Customer special order is available) :



Ordering Information:

AC6502-X

Pin-out Options:

X=A, B, or D, Pin-out Assignment Options (Customer specific pin-out available)

Pin #	Pin-out Assignment		
	A	B	D
1	Dout	Dout	Vcc
2	Vcc	$\overline{\text{Dout}}$	$\overline{\text{Dout}}$
3	$\overline{\text{Dout}}$	Vcc	Dout
4	GND	GND	GND

Archcom Technology, Inc. reserves the right to make changes in design, specifications and other information at any time without prior notice. Information in this data sheet is believed to be reliable. However, no responsibility is assumed for possible inaccuracy or omission.