



AC6505 Series

622 Mbps Receiver in 5-pin ROSA Package



Features:

- Wide dynamic range with differential output
- Low power +3.3 V operation
- Wide operation temperature (-20°C to +85°C)
- High reliability
- Suitable for 622 Mbps applications needing receptacle style connectorization

Applications: Telecom and Datacom

Electrical/Optical Characteristics (T_c=25°C)

Parameter	Symbol	Min.	Typ.	Max.	Unit
Power Supply	V _{cc}	2.97	3.30	3.63	V
Supply Current ⁽¹⁾	I _{cc}		20		mA
Bandwidth	BW	430			MHz
Low-Frequency Cut Off	LF		30		kHz
Rise Time/Fall Time ^(2,3)	Tr/Tf		700		ps
Wavelength	λ	1100	1310	1650	nm
Single Ended Output Impedance	R _o		75		Ohms
Saturation Power ^(3,4)	P _{sat}	+2	+3		dBm
Sensitivity ^(3,4)	P _{sens}		-32	-29	dBm
Conversion Gain ⁽⁵⁾		3	4		kV/W
Differential Output Voltage ⁽⁶⁾	V _{diff}		240		mVpp

(1) No Loads

(2) 20% to 80% at -15 dBm input

(3) λ=1310 nm

(4) BER = 10⁻¹⁰, PRBS 2³¹-1, ER =10 dB

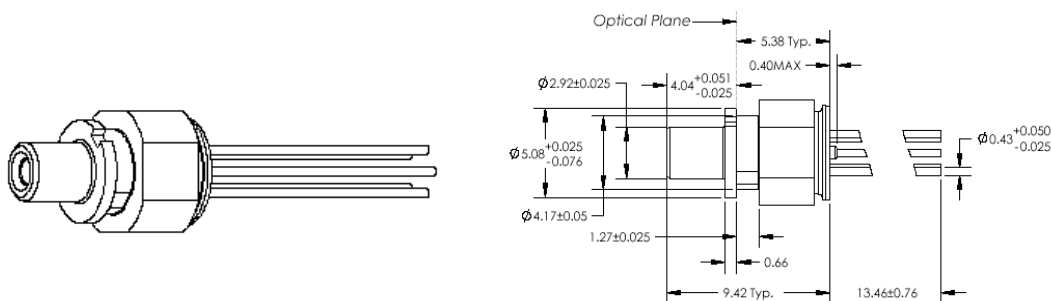
(5) Single ended output voltage (peak to peak) to optical power swing (OMA)

(6) Into 50 Ohms

Absolute Maximum Ratings:

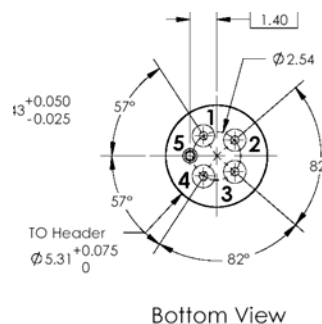
Parameter	Symbol	Min	Max	Unit
Case Temperature	T _C	-40	+85	°C
Storage Temperature	T _{stg}	-40	100	°C
Humidity Range	RH	5	95	%
Amplifier Bias Voltage	V _{ccmax}		4.5	V
Input Optical Power	P _{max}		+6	dBm
Load Solder Temp. and Time			260 °C, 10sec	

Outline Drawing (Customer special order is available):



Plastic LC 5-pin version

5-pin Pin-out Assignment		
Pin #	“B”	“D”
1	Dout-P	NA
2	Vcc	NA
3	Vpd	NA
4	Dout-N	NA
5	GND	NA



Ordering Information:

AC6505-W-X-YZ

W = Pin-out: “B” see table. (Custom pin-out available)

YZ = Receptacle type: “L1” for LC Plastic, “L2” for LC Metal, “L3” for LC metal (-27dB ORL), “S1” for SC plastic

Example: **AC6505-B-L1** is an Archcom 5-pin, 622 Mbps ROSA with Type-B pin-out with low cost plastic LC receptacle

Archcom Technology, Inc. reserves the right to make changes in design, specifications and other information at any time without prior notice. Information in this data sheet is believed to be reliable. However, no responsibility is assumed for possible inaccuracy or omission.