

6806 Monitor Photodiode Modules

Features

- High responsivity
- Low dark current
- Low back reflection
- Designed for Telcordia GR-468 qualification

Applications

- C- and L- band monitoring
- EDFA / network monitors
- 1310 and 1550 PONs

Description

The 6806 series photodiode module is an InGaAs PIN diode sensitive to both 1310 nm and 1550 nm. It features high bandwidth (over 2 GHz), high responsivity and low noise. These photodiode is offered in a small, environmentally rugged coaxial package.

Absolute Maximum Ratings

Parameter	Symbol	Min	Max	Unit
Operation Temperature Range	T_{OP}	-40	85	°C
Storage Temperature Range	T_{stg}	-40	85	°C
Reverse Current	I_R	-	10	MA
Reverse Voltage	V_R	-	30	V
Forward Current	I_F	-	10	MA
Power Dissipation	P_{DISS}	-	<100	MW

Electrical/Optical Characteristics

(measured at 25°C, Vr=5V, without connector)

Parameter	Symbol	Min	Typical	Max	Unit
Active Diameter	D		70		μm
Optical Wavelength Range	λ	1100	-	1600	Nm
Responsivity	Resp.	-	>0.85 at 1310 nm >0.90 at 1550 nm	-	mA/mW mA/mW
PDL	PDL	-	-	0.1	DB
Back Reflection	R _L	-	≤-45	≤-40	dB
Dark Current	I _D	-	-	5	nA
Capacitance	-	-	≤0.6	-	pF
Frequency Bandwidth	BW	-	2.0	-	GHz

Ordering Information

AC6806-X-YZ-O

X=1, 250 μm Buffer fiber,

X=2, 900 μm Buffer fiber

YZ= pigtail and connector type

=P0: pigtail without connector

=P1: pigtail with FC/APC

=P2: pigtail with FC/UPC

=P3: pigtail with SC/APC

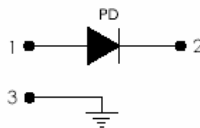
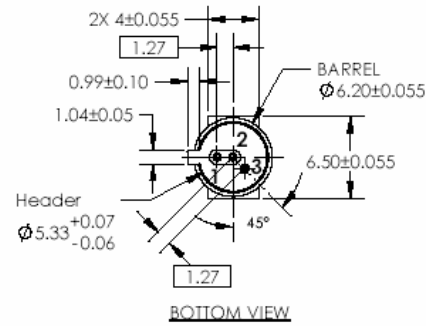
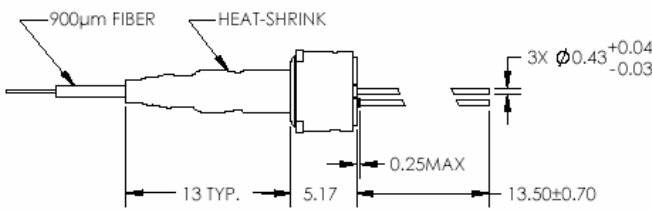
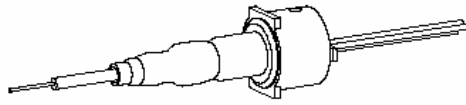
=P4: pigtail with SC/UPC

O = Mounting Bracket

=M: Metal mounting bracket

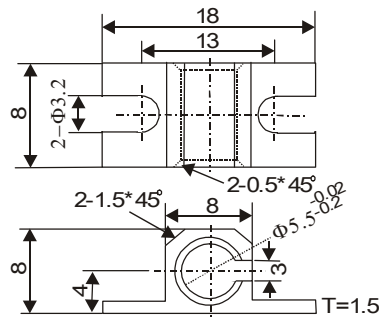
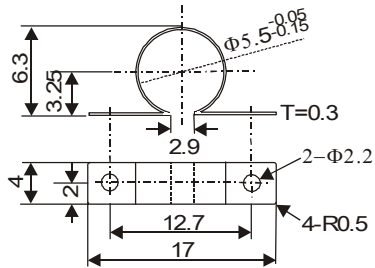
=N: Plastic mounting bracket

Outline Drawings (Customer package designs are available)
(Dimensions in mm)



SCHEMATIC DIAGRAM

Mounting Bracket (Optional):
(Dimensions in mm)



Type-M Mounting Bracket

Type-N Mounting Bracket (Plastic)

Archcom Technology, Inc. reserves the right to make changes in design, specifications and other information at any time without prior notice. Information in this data sheet is believed to be reliable. However, no responsibility is assumed for possible inaccuracy or omission.